



Filtro in bronzo - PN 16

Bronze strainer - PN 16

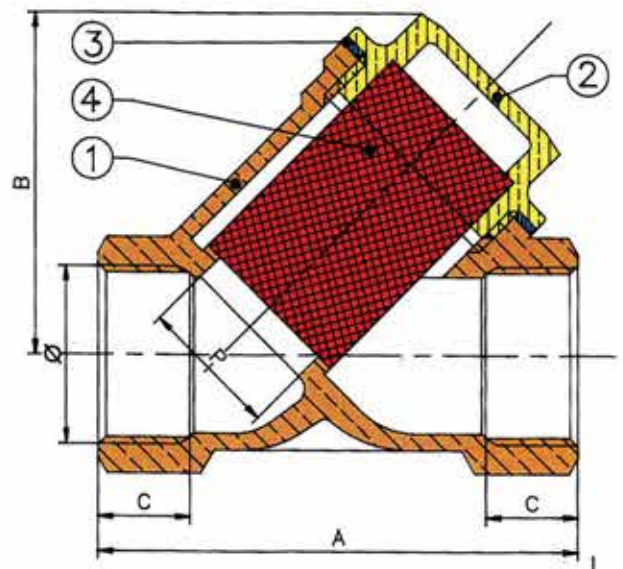
Filtre à tamis en bronze  
- PN 16

# 900



Ø	A	B	C	P	Gr.
3/8	55	40	10	12	180
1/2	59	44	11	15	220
3/4	69	50,5	12	20	300
1	82	60	14	25	440
1 1/4	98,5	73	17	32	700
1 1/2	109	80	17	40	860
2	131	98	19	50	1620
2 1/2	151	114	21	65	2200
3	172	130	21	78	3440
4	219	170	24	98	7000

N°	COMPONENTE - COMPONENT	MATERIALE - MATERIAL
1	CORPO BODY	BRONZO BS 1400 LG2 - UNI 7013 BRONZE BS 1400 LG2 - UNI 7013
2	TAPPO PLUG	OTTONE P-Cu Zn40 Pb2 UNI-5705 BRASS P-Cu Zn40 Pb2 UNI-5705
3	GUARNIZIONE GASKET	FIBRE TERMORESIST. SAITAL K HEAT-RESIST. FIBRES SAITAL K
4	FILTRO FILTER	ACCIAIO INOX AISI 304 STAINLESS STEEL AISI 304



ART. 900

CONDIZIONI DI ESERCIZIO WORKING CONDITIONS	ACQUA - WATER TEMPERATURA °C - TEMPERATURE °C	
	MIN.	MAX
	0	+150